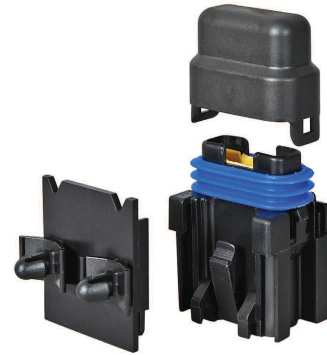


auto electrical parts

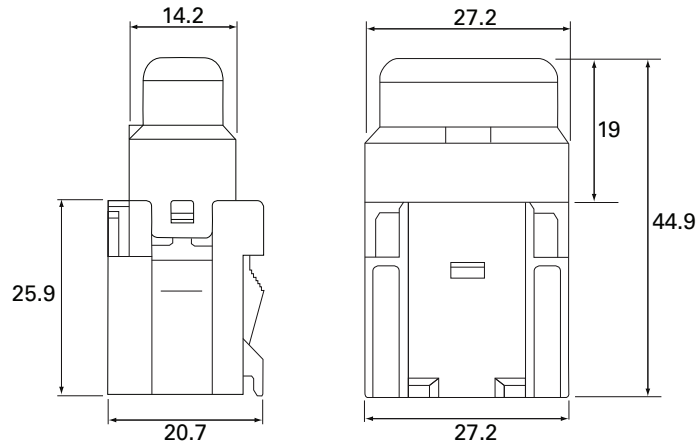
Technical Information Sheet

Part No. 0-376-03

Splashproof blade fuseholder, complete with terminals for 0.5 - 1.5mm cable, silicon cable seals and bulkhead mounting plate. Suitable for up to 30 amp blade fuses with a maximum continuous current 21 amps can be clipped together to make multiple fuse block.



Technical Drawing (not to scale)



Specification

Type	Splashproof blade fuseholder
Amp rating	20 amp max
Protection	IP33
Operating temperature	-25° to +40°C
Wire Section for terminals	0.5 - 1.5mm ²
Dimensions	See diagram
Weight	16g
Compliance	RHoS, REACh

The information contained in this document is correct to the best of our knowledge at the time of printing. However, specifications may change at any time without notice.